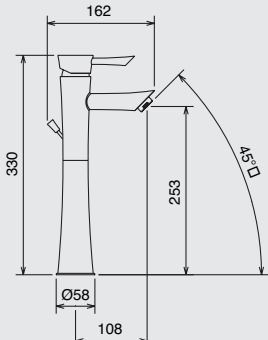
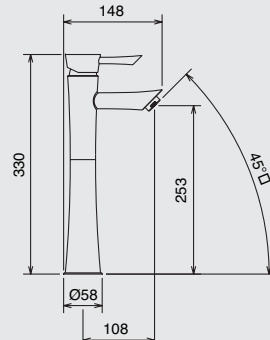


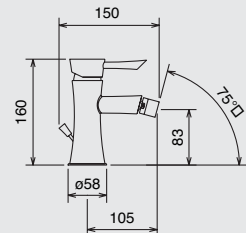
17001



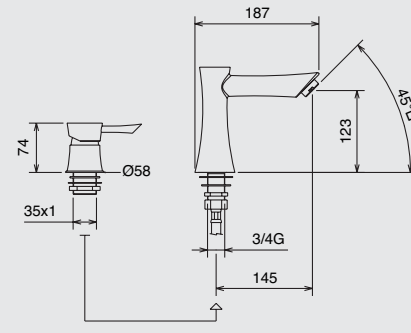
17501 CS



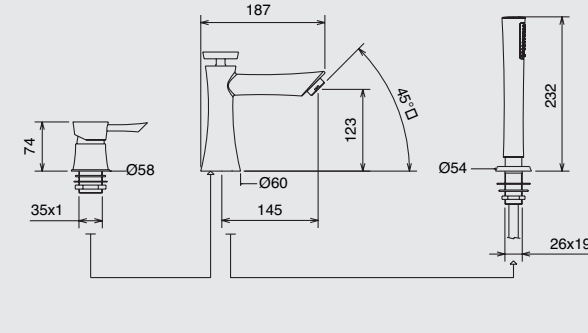
17501 TC



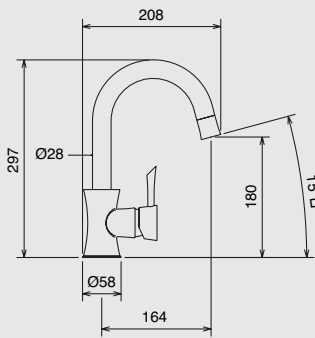
17011



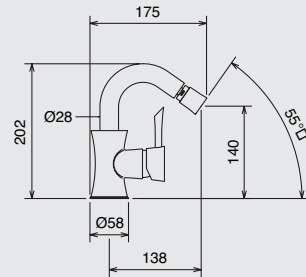
17345



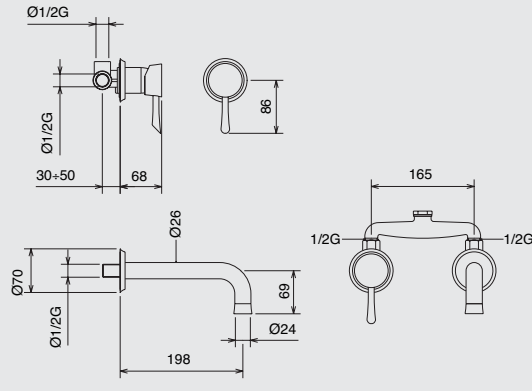
17347



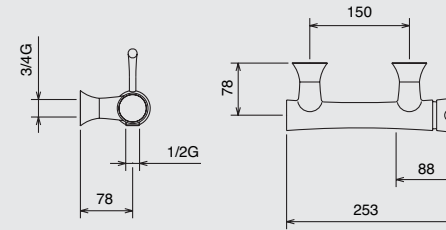
17601



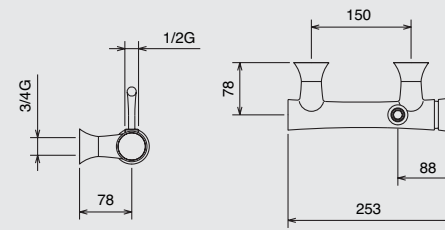
17611



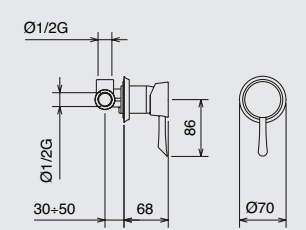
17200



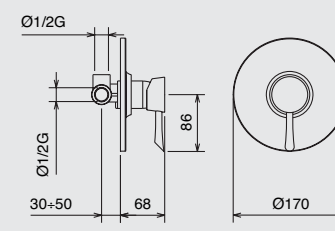
17030



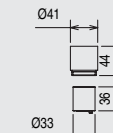
17035/COL



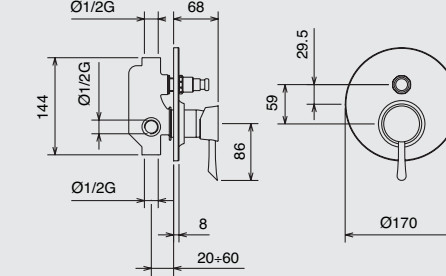
17050



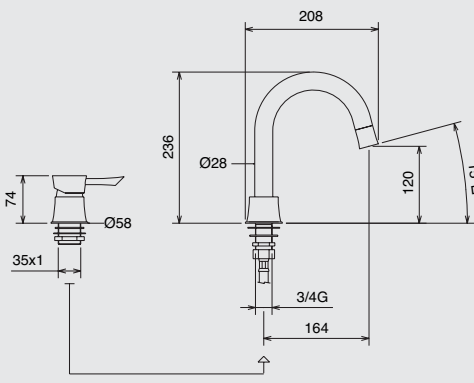
17050/170



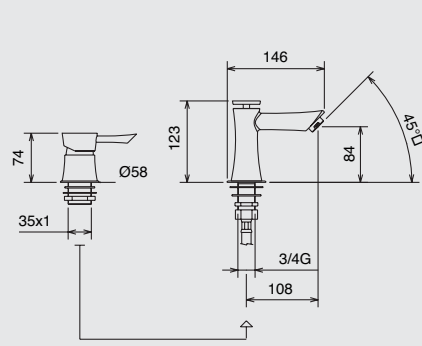
R-655



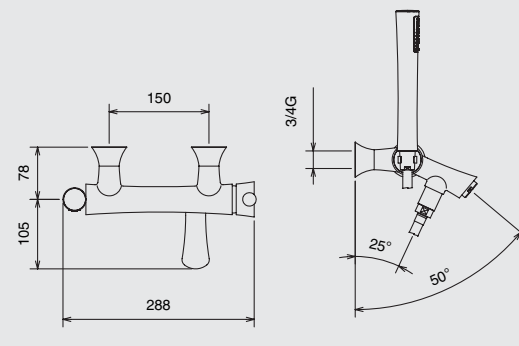
17050/R



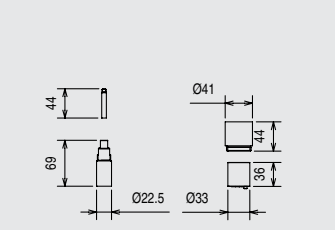
17300 TC



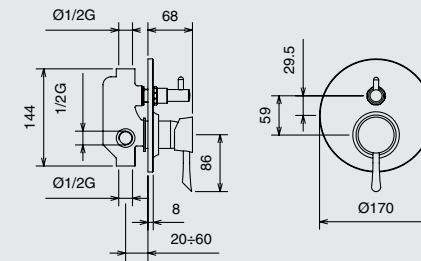
17801



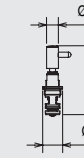
17019



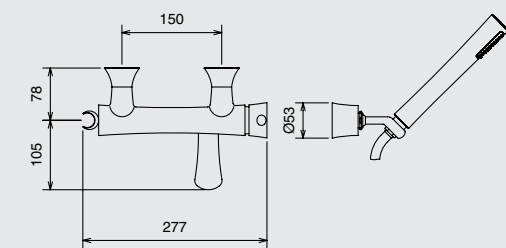
R-655R



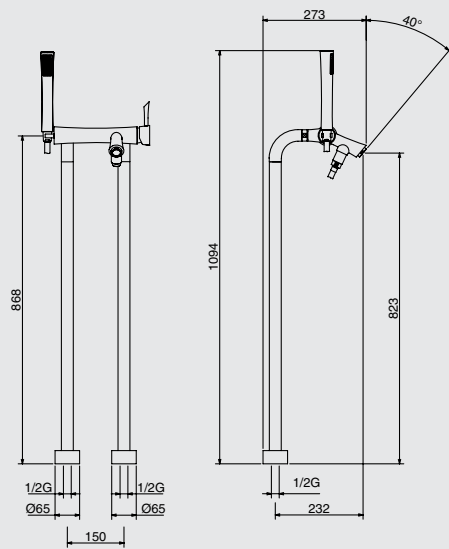
17050/R L



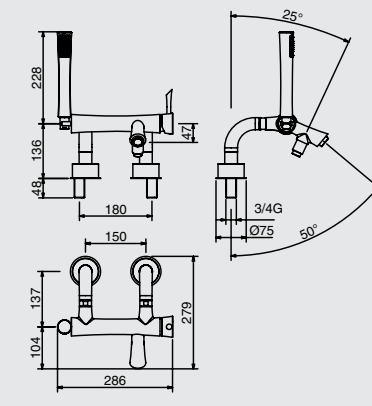
R84L



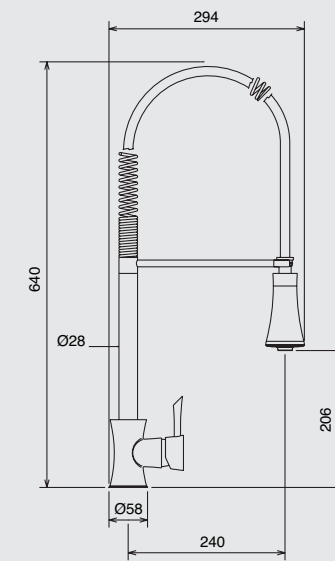
17020



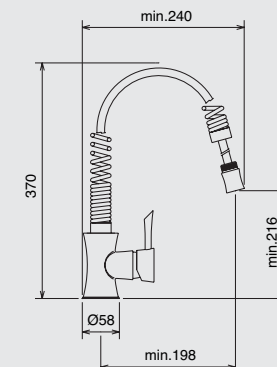
17029



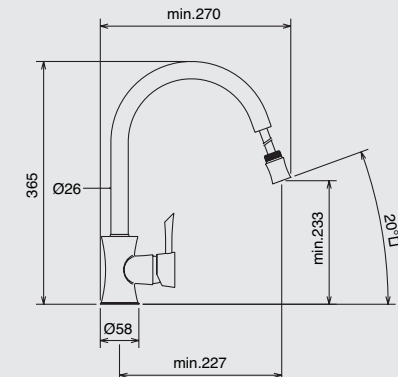
17024



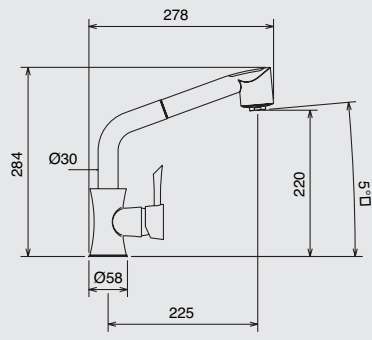
17481



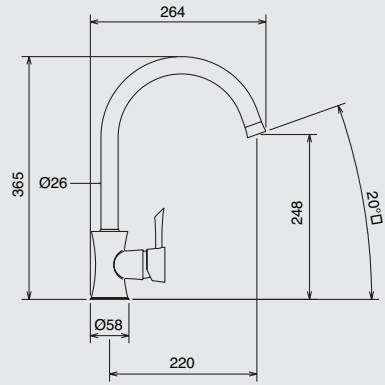
17681



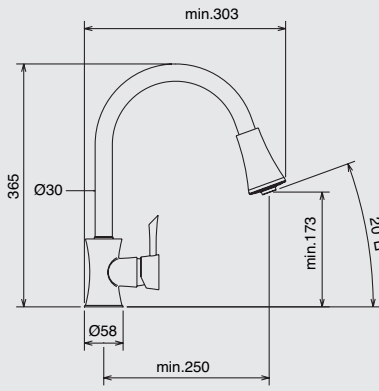
17781



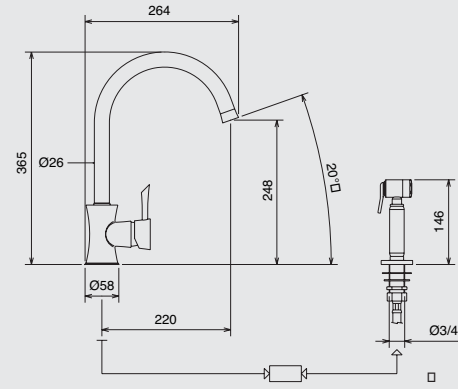
17081



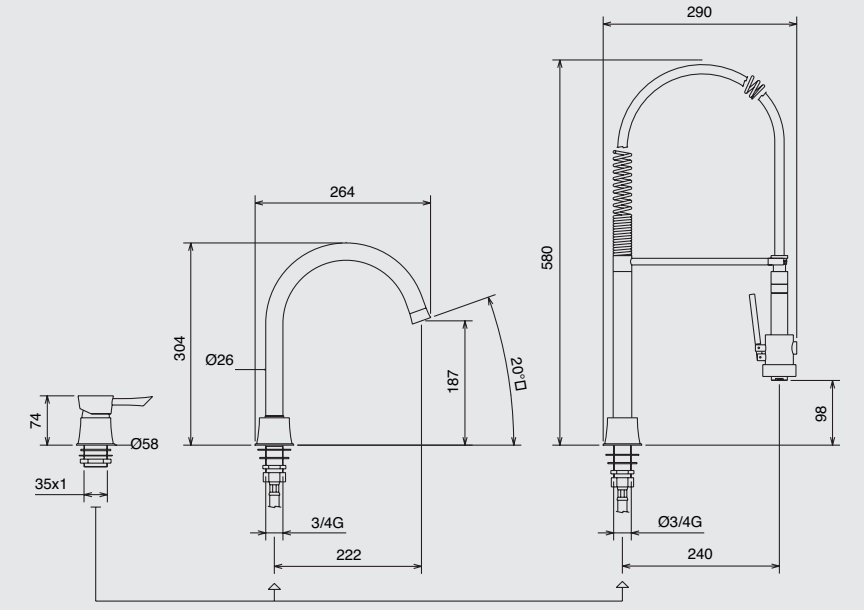
17713



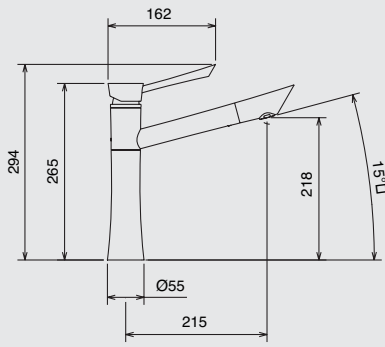
17787



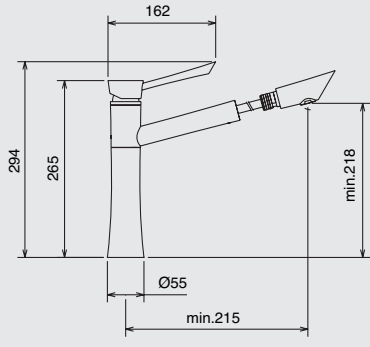
17785



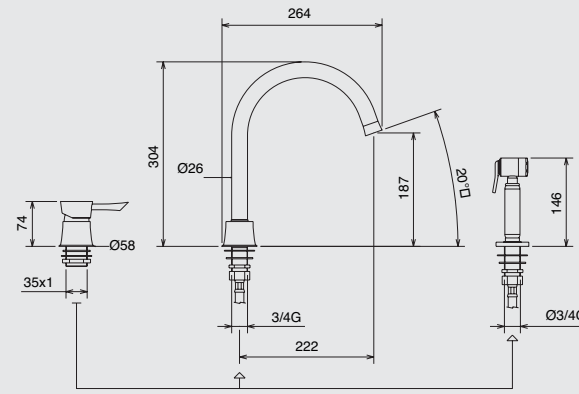
17390



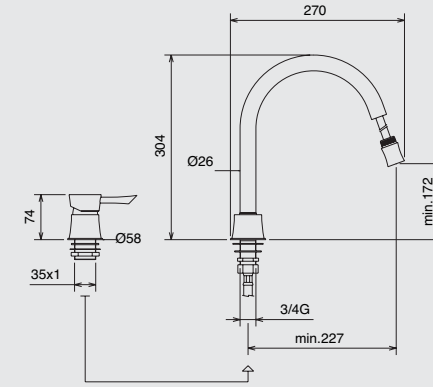
17191



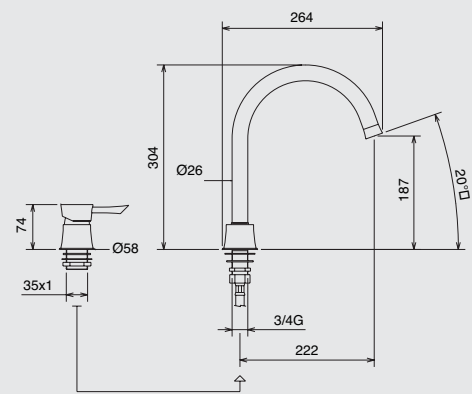
17181



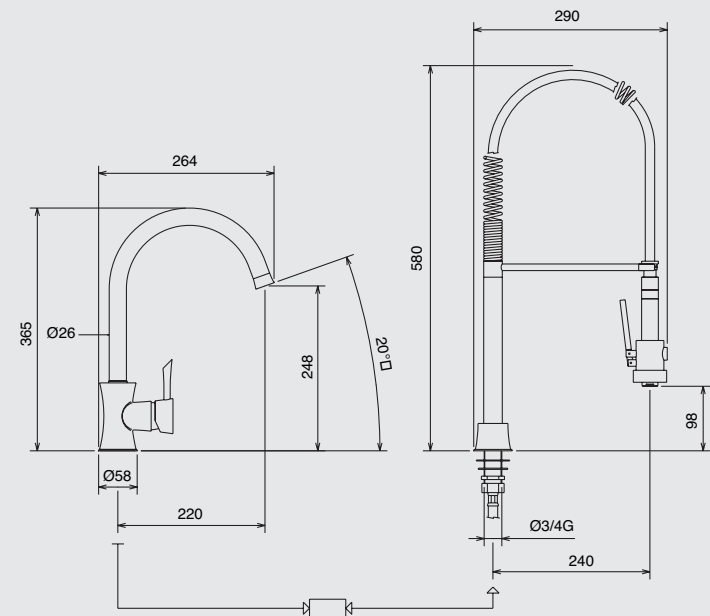
17385



17380



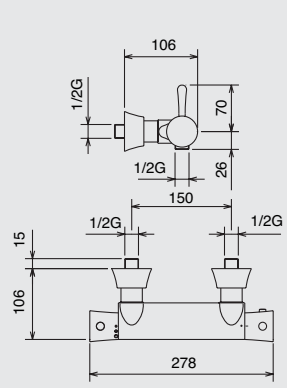
17313



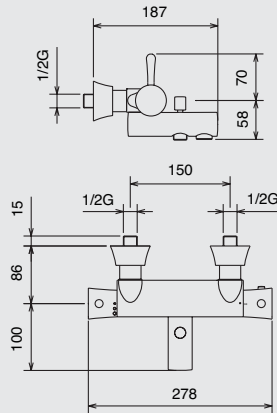
17485

KONVEX PROGRAM

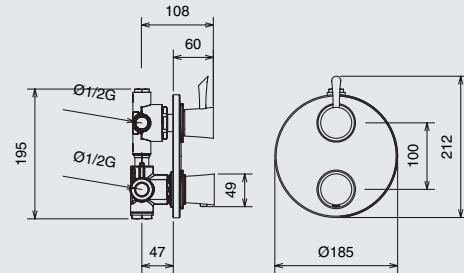
ARTICOLI COMPLEMENTARI
COMPLEMENTARY



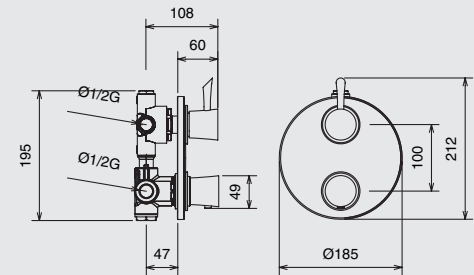
17930 thermostatic



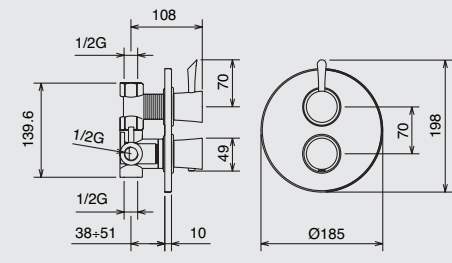
17920 thermostatic



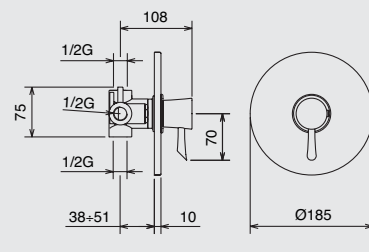
17950/R 2 thermostatic



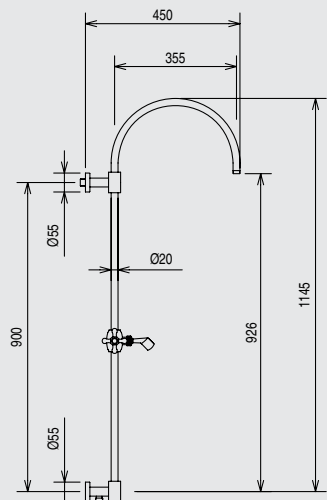
17950/R 3 thermostatic



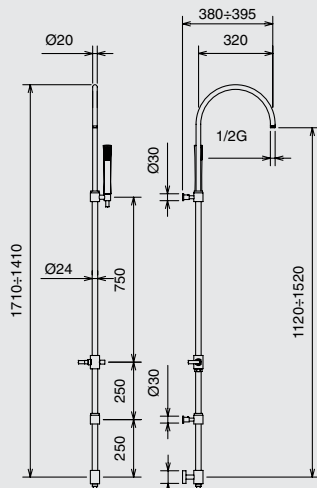
17950 thermostatic



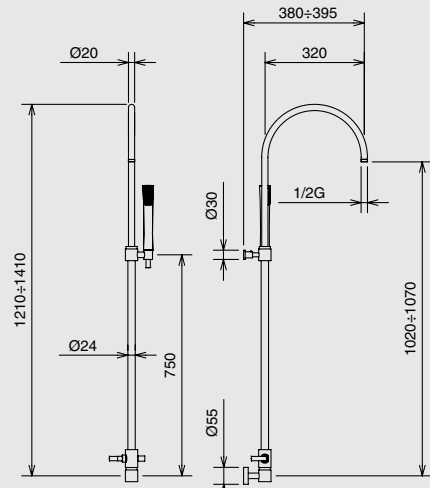
17955 thermostatic



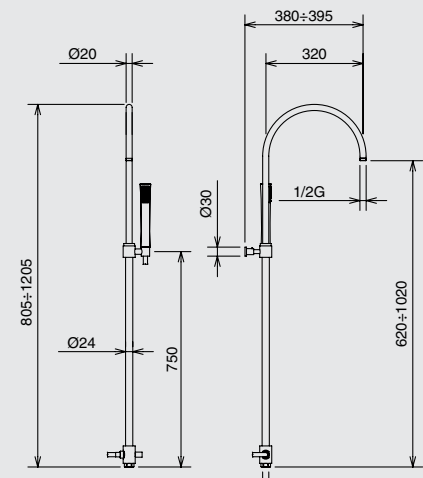
CD TIF UP 050



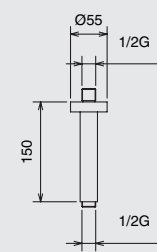
CD KX 020



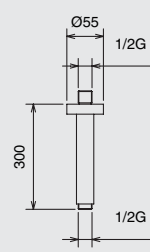
CD KX 050



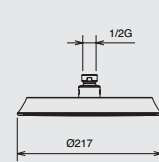
CD KX 292



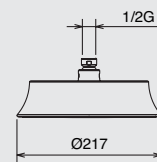
CEI 15



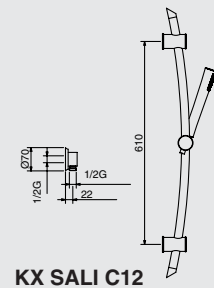
CEI 30



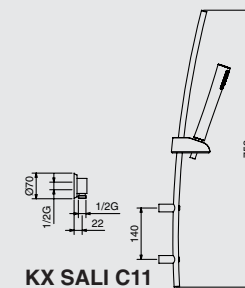
SOF LAT KX 20



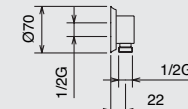
SOF KX 20



KX SALI C12



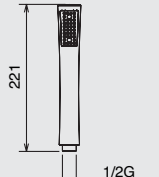
KX SALI C11



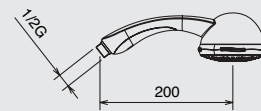
R17000-237



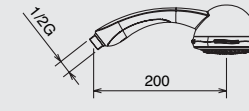
R17000-38



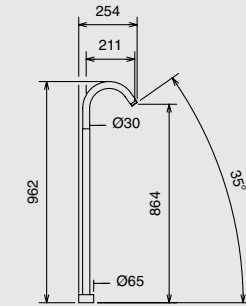
R17000-39



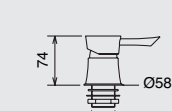
KX ECLY 3



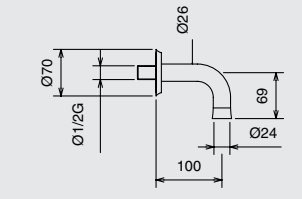
KX ECLY 4



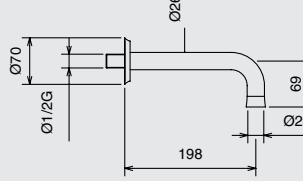
SP028045 EX



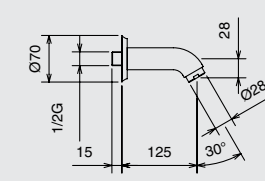
17350



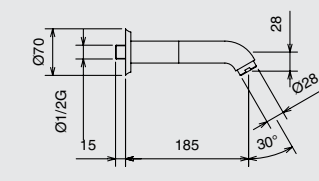
17144/10



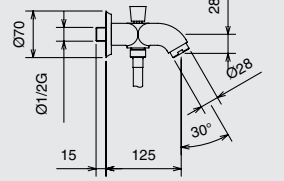
17144/20



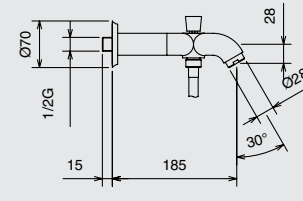
17244/SH



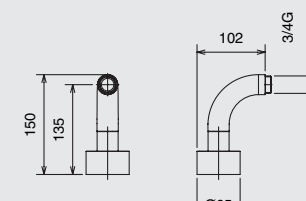
17244/LO



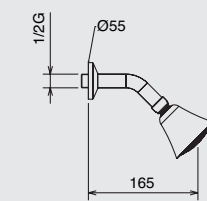
17144/R



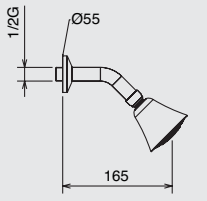
17144 RL



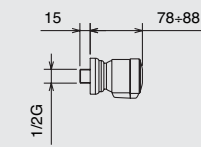
ELBOW 026



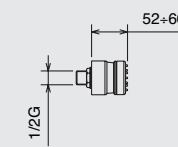
SH KX REG 1



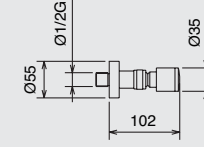
SH KX REG 4



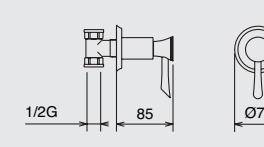
TF 027 BOS2



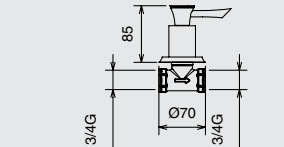
TF 027 BOS1



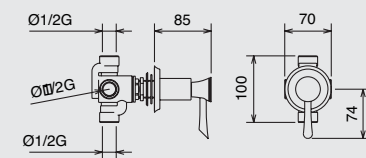
TT 027 CAL



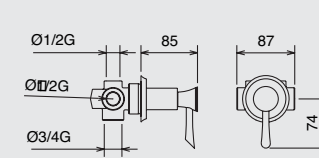
18062 1/2



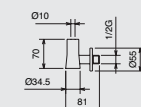
18062 3/4



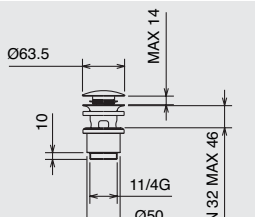
18141



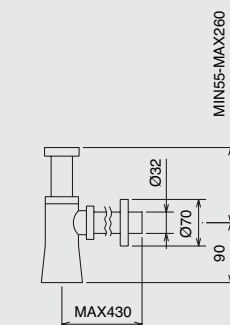
18151 N



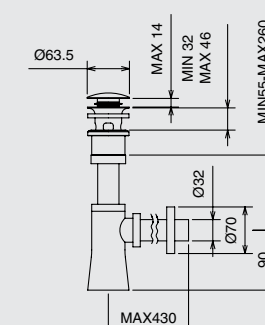
KX RA 845



TT VIN 01



KX VIN 02/S



KX VIN 02